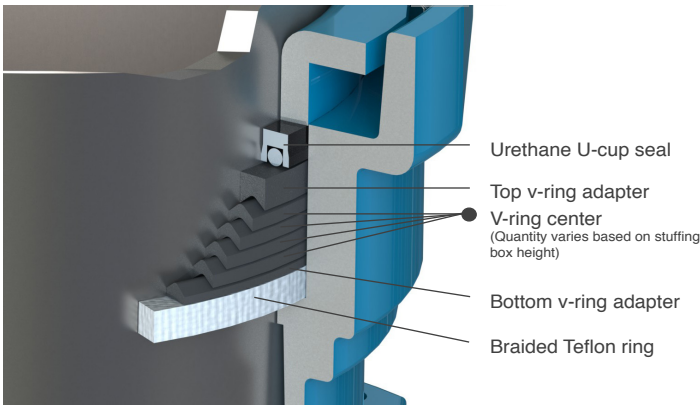


# WASTECORP® PLUNGER PUMPS PACKING OPTIONS



## Wastecorp Plunger Pac™

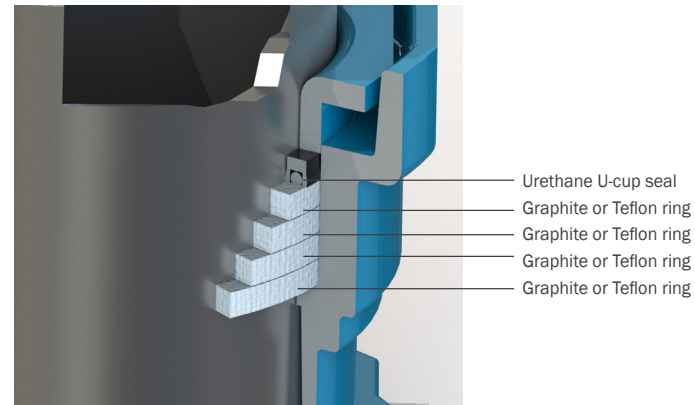


### PLUNGER SIZE

7" ( Q. 1 u-cup, 3 v-rings, Q. 1 - ½" Teflon rope)	42686-00
9" ( Q. 1 u-cup, 4 v-rings, Q. 1 - ½" Teflon rope)	42687-00
11" ( Q. 1 u-cup, 4 v-rings, Q. 1 - ½" Teflon rope)	42688-00
6", 8½", 10", 12¼" sizes also available	

Shown for genuine OEM Wastecorp Plunger Pumps.  
Sizes and lengths available for any brand. Contact factory for more information.

## Wastecorp Graphite/Teflon® Set With U-cup Seal



### Graphite with u-cup

#### PLUNGER SIZE

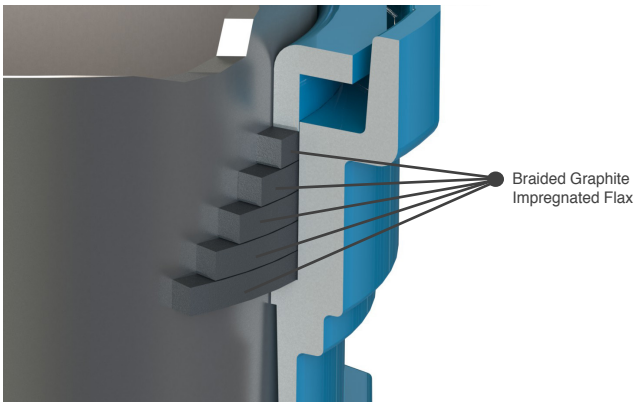
7" ( 3 rings, 1 u-cup)	60655-00
9" ( 4 rings, 1 u-cup)	60656-00
11" ( 4 rings, 1 u-cup)	60657-00
6", 8½", 10", 12¼" sizes also available	

### Teflon® with u-cup

#### PLUNGER SIZE

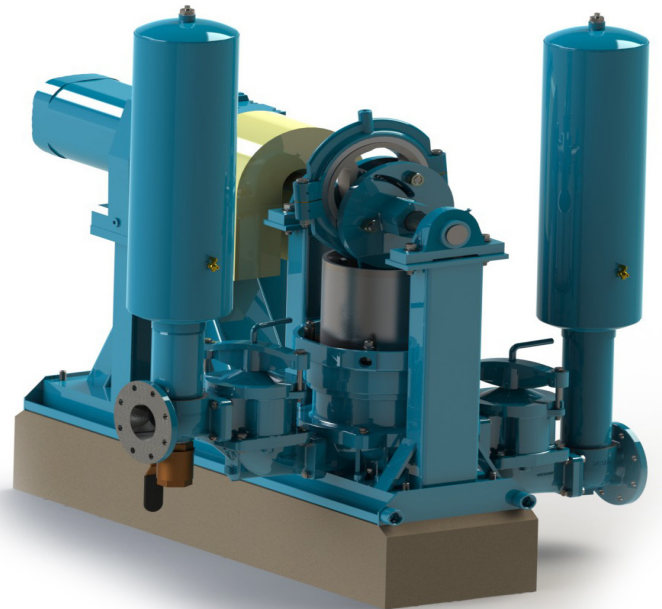
7" ( 3 rings, 1 u-cup)	60840-00
9" ( 4 rings, 1 u-cup)	60841-00
11" ( 4 rings, 1 u-cup)	60842-00
6", 8½", 10", 12¼" sizes also available	

## Wastecorp Graphite Flax Packing



### PLUNGER SIZE

7" ( 4 Rings)	25671-00
9" ( 5 Rings)	24914-00
11" ( 5 Rings)	25779-00
6", 8½", 10", 12¼" sizes also available	



Wastecorp Pumps USA  
P.O. Box 70  
Grand Island, New York 14072 | USA  
Tel: 888.829.2783 | Fax: 888-883-3320  
sales@wastecorp.com

Wastecorp Pumps Canada Inc.  
55 Six Point Road  
Toronto, Ontario M8Z-2X3 | Canada  
Tel: 416.233.3000 | Fax: 416.233.2300  
info@wastecorp.com

Wastecorp Pumps International  
P.O. Box 70  
Grand Island, New York 14072 | USA  
Tel: 201.445.2882 | Fax: 201.445.3252  
techsupport@wastecorp.com